

Series image - Reference only

EU RoHS	China RoHS
ELV and RoHS Compliant	

Search Parts in this Series

[19005 Series](#)

Use With

[19004-0005](#), [19004-0008](#)

Application Tooling

Global

Description

Hand Crimp Tool

Crimp Head for the AT-200™ Pneumatic Hand Tool

Product #

[0640014700](#)

[0640054700](#)

Part Number: **0190050005**

Status: **Active**

Description: InsulKrimp™ Fully Insulated Coupler, Female, for 14-16 AWG Wire, Box

Documents:

- [Drawing \(PDF\)](#)
- [Product Specification PS-19902-008 \(PDF\)](#)
- [Related Catalog Page \(PDF\)](#)

Order Products:

- o [Check Distributor Inventory](#)
- o [Request Samples](#)

Part Detail: (show all)

- o **General**
- o **Physical**
- o **Electrical**
- o **Material Info**
- o **Reference - Drawing Numbers**

General

Product Family	Quick Disconnects
Series	<u>19005</u>
Product Name	InsulKrimp™
Type	Quick Disconnect

Physical

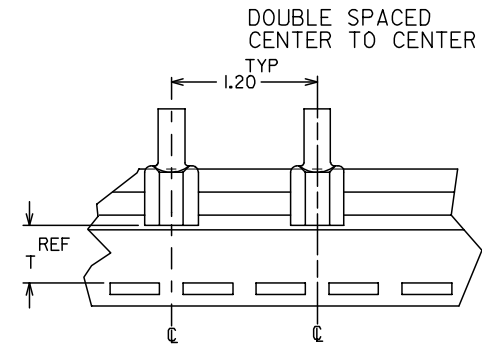
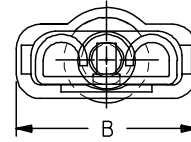
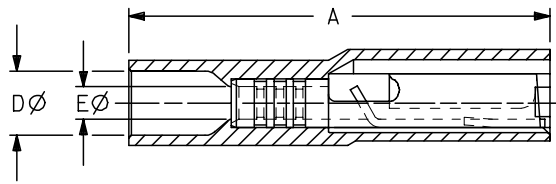
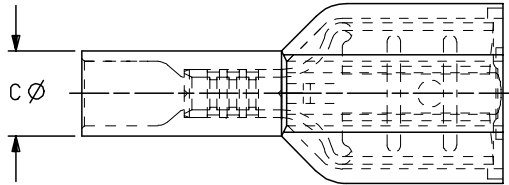
Barrel Type	Closed
Color - Resin	Natural
Flammability	94 V0
Gender	Female
Insulation	Nylon (PA)
Lock to Mating Part	None
Material - Metal	Brass
Material - Resin	Nylon
Orientation	Straight
Packaging Type	Box
Polarized to Mating Part	No
Tab Thickness	0.81mm (.032")
Tab Width	6.35mm (.250")
Temperature Range - Operating	-65°C to +105°C
Wire Insulation Diameter	4.19mm (.165") max.
Wire Size AWG	14
Wire Size AWG	16
Wire Size mm²	1.30 - 2.00

Electrical

CSA	LR18689
UL	E79133
Voltage - Maximum	600V

10	9	8	7	6	5	4	3	2					
MATERIAL NO. LOOSE PC	ENGINEERING NO. LOOSE PC	MATERIAL NO. ON TAPE	ENGINEERING NO. ON TAPE	WIRE SIZE	ACCEPTS TAB SIZE	COLOR	STOCK THICKNESS	A MAX	B MAX	C MAX	D MWID	E MIN	T REF
190050001	AA-2261	190050004	AA-2261T	22-18	.250x.032	RED	.018	.89	.38	.23	.165	.083	.520
190050005	BB-2263	190050009	BB-2263T	16-14	.250x.032	BLUE	.018	.89	.38	.23	.165	.083	.520
190050010	C-2265	190050015	C-2265T	12-10	.250x.032	YELLOW	.018	1.04	.38	.34	.275	.145	.508

(B)



TAPE MOUNTING DETAIL

NOTES:

1. TERMINAL MATERIAL: BRASS
2. TERMINAL FINISH: TIN PLATED
3. INSULATION MATERIAL: MOLDED NYLON
4. MWID = MAXIMUM WIRE INSULATION DIAMETER
5. ASSEMBLY IS ROHS COMPLIANT.

(B)

REDRAWN & REVISED EC NO: ETC2007-0281 DRW: WHEHLE 2007/02/06 CHKD: JMACNEIL 2007/02/06 APPR: JMACNEIL 2007/02/06	QUALITY SYMBOLS	GENERAL TOLERANCES (UNLESS SPECIFIED)	DIMENSION STYLE INCH ONLY	SCALE ---	DESIGN UNITS INCH	THIRD ANGLE PROJECTION																											
	▽=0 ▽=0	<table border="1"> <thead> <tr> <th></th> <th>mm</th> <th>INCH</th> </tr> </thead> <tbody> <tr> <td>4 PLACES</td> <td>± ---</td> <td>± ---</td> </tr> <tr> <td>3 PLACES</td> <td>± ---</td> <td>± .005</td> </tr> <tr> <td>2 PLACES</td> <td>± ---</td> <td>± .01</td> </tr> <tr> <td>1 PLACE</td> <td>± ---</td> <td>± ---</td> </tr> </tbody> </table>		mm	INCH	4 PLACES	± ---	± ---	3 PLACES	± ---	± .005	2 PLACES	± ---	± .01	1 PLACE	± ---	± ---	<table border="1"> <thead> <tr> <th>DRAWN BY</th> <th>DATE</th> </tr> </thead> <tbody> <tr> <td>EMF</td> <td>1993/06/25</td> </tr> <tr> <th>CHECKED BY</th> <th>DATE</th> </tr> <tr> <td>---</td> <td>---</td> </tr> <tr> <th>APPROVED BY</th> <th>DATE</th> </tr> <tr> <td>---</td> <td>---</td> </tr> </tbody> </table>	DRAWN BY	DATE	EMF	1993/06/25	CHECKED BY	DATE	---	---	APPROVED BY	DATE	---	---	TITLE	FULLY INSULATED FEMALE COUPLER	
		mm	INCH																														
	4 PLACES	± ---	± ---																														
3 PLACES	± ---	± .005																															
2 PLACES	± ---	± .01																															
1 PLACE	± ---	± ---																															
DRAWN BY	DATE																																
EMF	1993/06/25																																
CHECKED BY	DATE																																
---	---																																
APPROVED BY	DATE																																
---	---																																
DRAFT WHERE APPLICABLE MUST REMAIN WITHIN DIMENSIONS	MATERIAL NO. SEE CHART	DOCUMENT NO. SD-19005-001	MOLEX INCORPORATED		SHEET NO. 1 OF 1																												